

Modena 28/07/2017



VENTILATION LINE

MicAir®

New VENTILATION GRILLES line

To meet the demands of our customers we used our more than three decades of experience to design and manufacture a completely new type of diffuser for our line of air renewal products for public spaces.

“MA-VENT-80T”



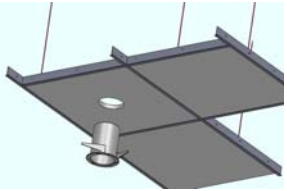
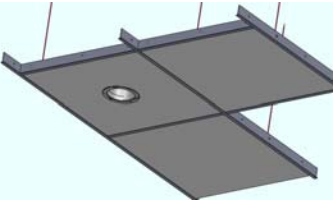
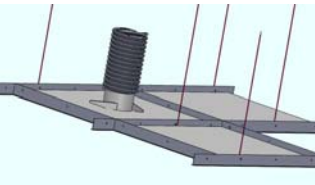
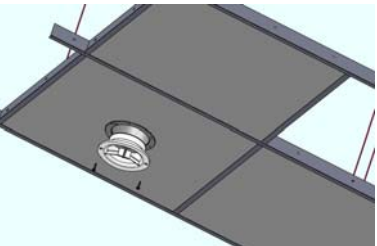
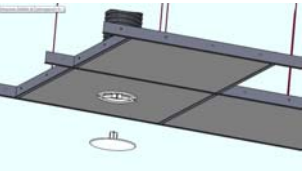
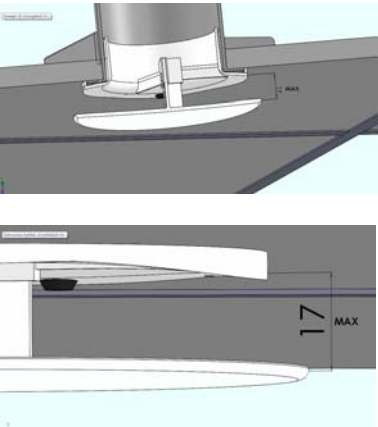
“MA-VENT-80R”



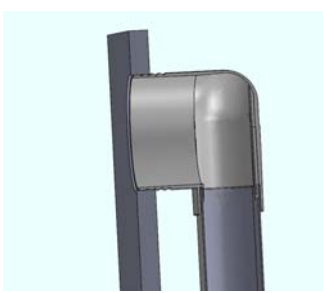
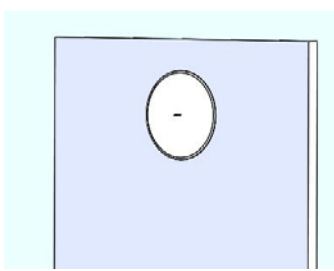
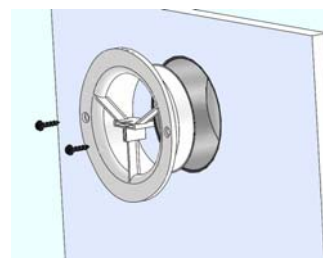
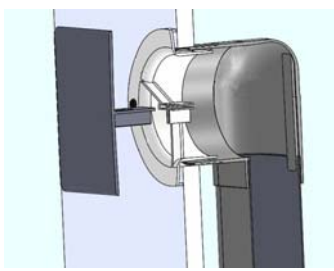
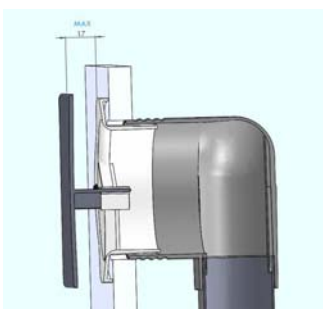
By MICRONPLAST srl
Via Bussi 70 41126 Modena ITALY

SUSPENDED CEILING INSTALLATION

“MA VENT-80”

1/2	<p>PREPARE THE CEILING GRID BY MAKING AN OPENING FOR MODEL “IMB-80-140” OR AN ALTERNATIVE 80 mm DIAM. ENTRANCE</p>		<p>FOLD THE TABS OF MODEL “IMB-80-140” AND INSERT IT INTO THE OPENING</p>	
3/4	<p>SECURE THE AIR SUPPLY TUBE</p>		<p>INSERT THE BODY WITH THE GASKET AND SECURE WITH SCREWS IF NECESSARY</p>	
5/6	<p>INSERT THE DIFFUSER AND ADJUST THE DEGREE OF OPENING</p>		<p>THE OPENING PERCENTAGE IS ADJUSTED BY CLICK POSITIONS UP TO A MAXIMUM OF 17mm. FIRST CLICK ON INSERTION OF THE DIFFUSER</p>	

WALL INSTALLATION

<p>1/2</p>	<p>FIT “OVA - V90°F-100X40” OR ANOTHER 80 MM DIAMETER PRODUCT IN THE REQUIRED POSITION</p>		<p>FIT PROTECTIVE COVER “OVA - TA-DM80” BEFORE APPLYING THE FINISH COAT OF PLASTER</p>	
<p>3/4</p>	<p>REMOVE THE PROTECTIVE COVER AND SECURE THE BODY, ENSURING IT IS PERFECTLY SQUARE IF USING THE RECTANGULAR DIFFUSER</p>		<p>SECURE IT WITH SCREWS IF NECESSARY</p>	
<p>5/6</p>	<p>INSERT THE DIFFUSER AND ADJUST THE DEGREE OF OPENING</p>		<p>THE OPENING PERCENTAGE IS ADJUSTED BY CLICK POSITIONS UP TO A MAXIMUM OF 17mm. FIRST CLICK ON INSERTION OF THE DIFFUSER</p>	